



Paulmann

Safety Instructions

1, 2, 3, 4, 5, 6, 7, 10, 12,
14, 16, 17, 19, 20, 24, 28,
33, 34



31.08.2021



A++ - A

01.09.2021



E



www.paulmann.com/symbols

Paulmann Licht GmbH
Quezinger Feld 2
31832 Springe
Germany

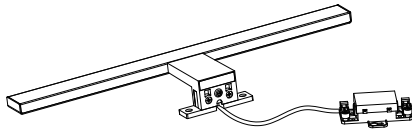


www.paulmann.com

Art.-Nr.: 705.54
705.55
789.38



(+MA 326) PH 11/20



1x



1x



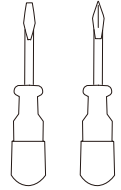
2x



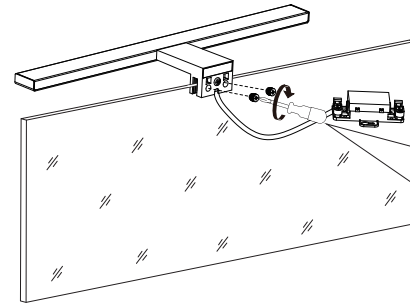
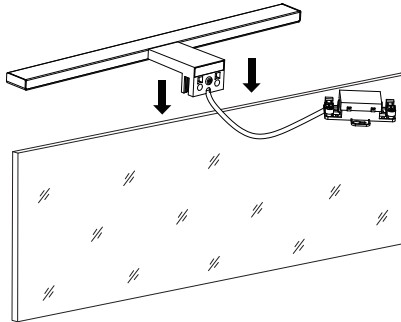
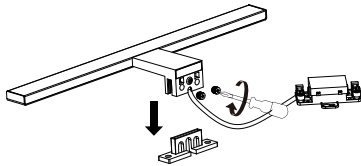
2x



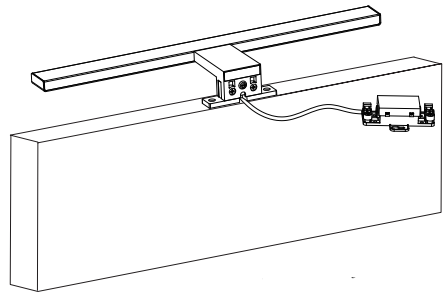
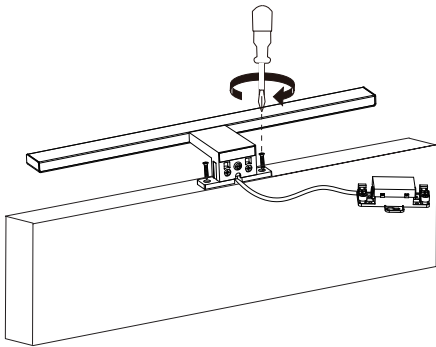
2x



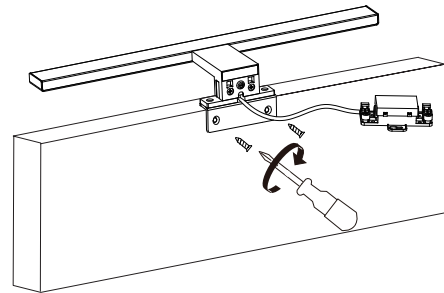
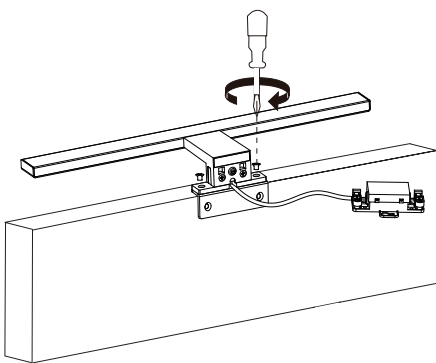
A1 A2 A3



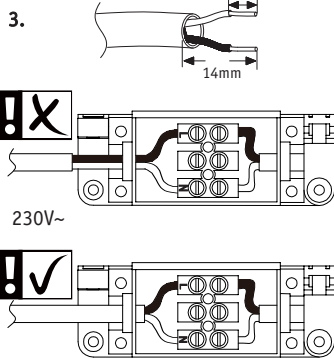
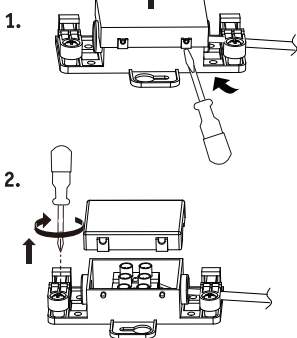
A1 A2 A3



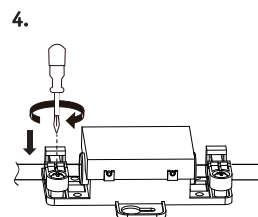
A1 A2 A3



B



Safety Instructions
Nr. 3, 4, 5, 6



C

